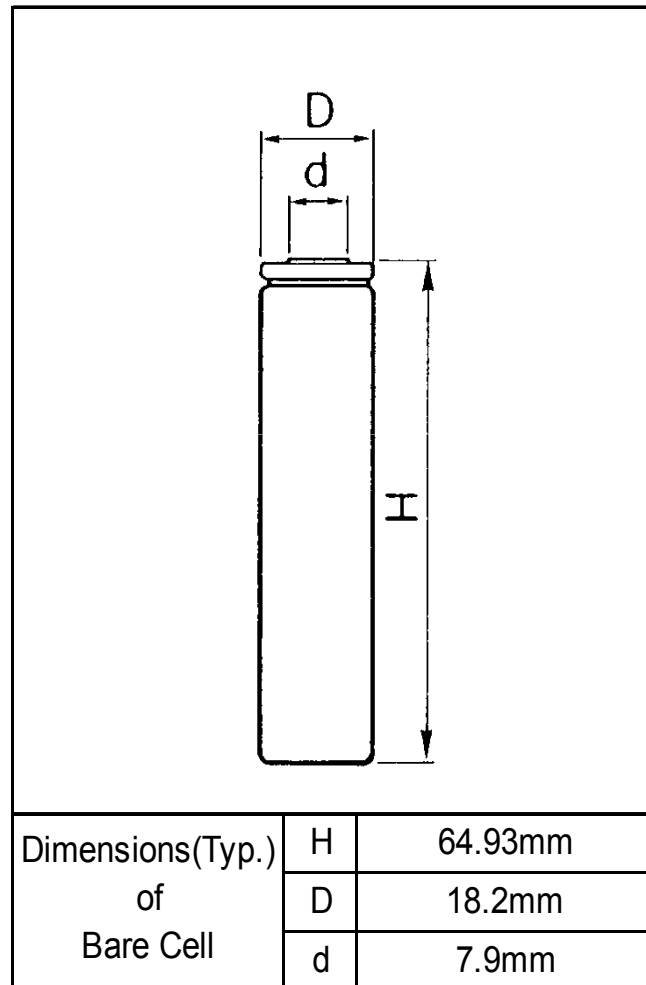


**NRC18650-3.400mAh**  
**Panasonic NCR18650B (3.400mAh Cell) Protected**



## Cell Type NCR18650B

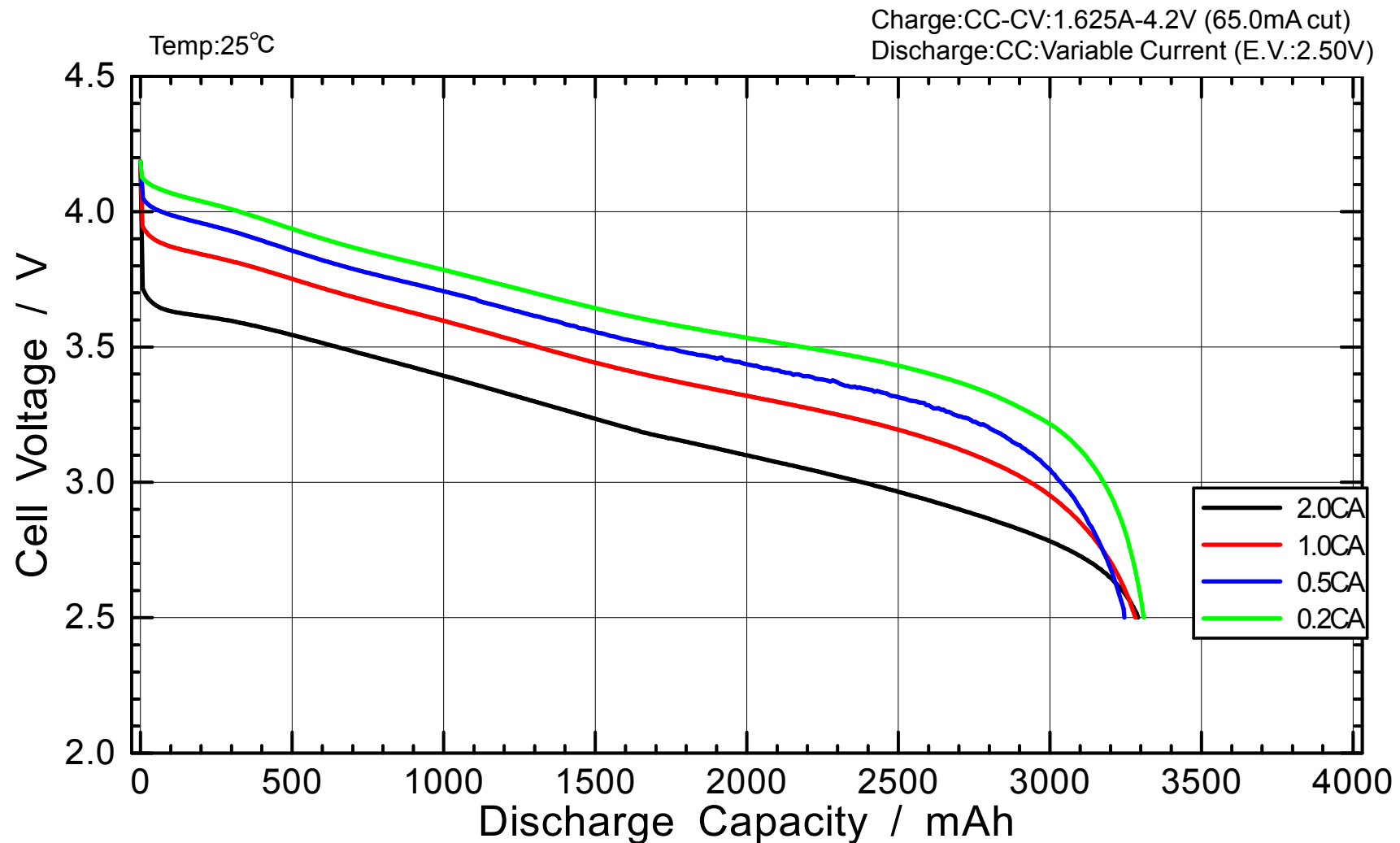
### Specifications



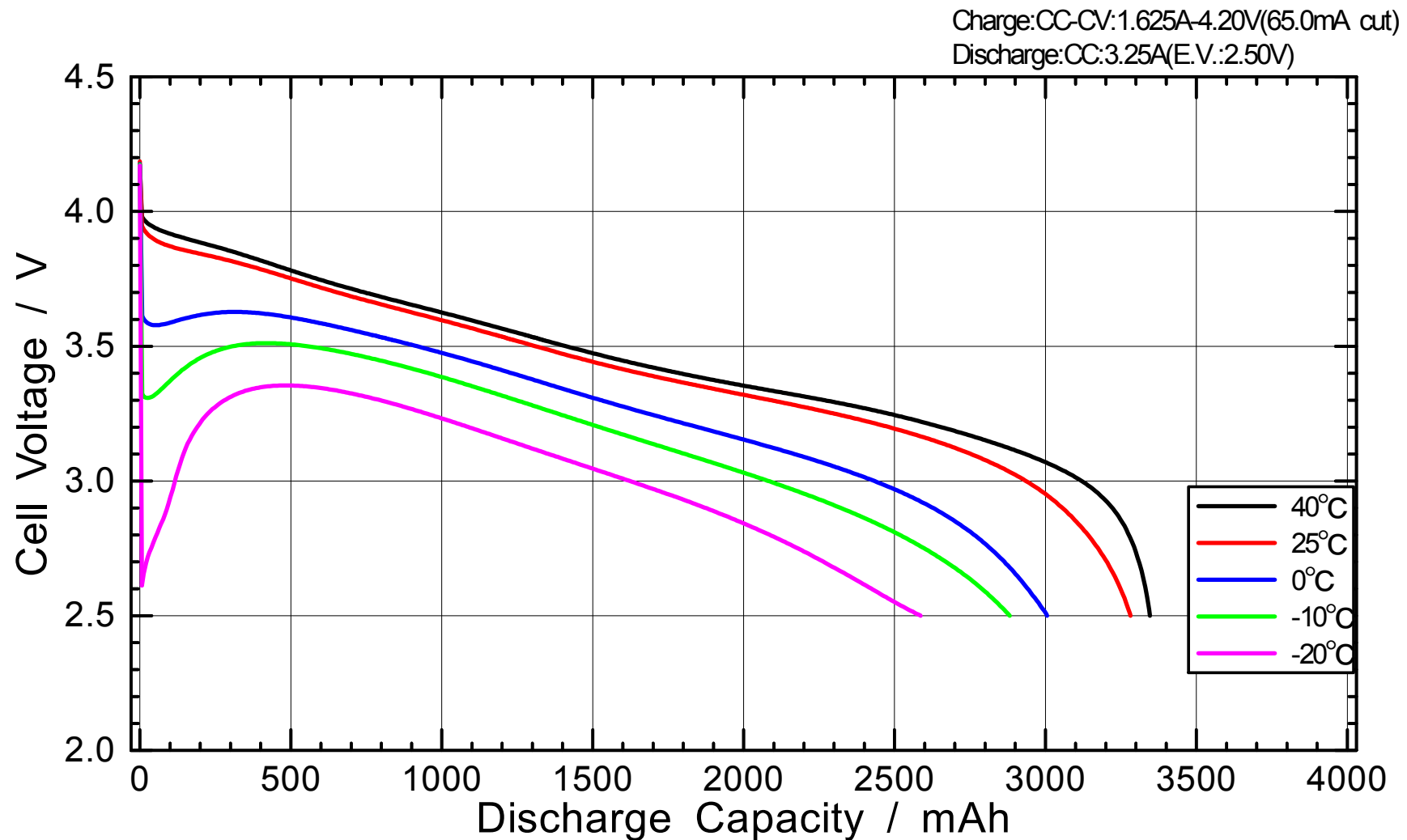
Discharged State after Assembling

Rated Capacity (at 20°C)		Min.3200mAh
Nominal Capacity (at 25°C)		Min.3250mAh
		Typ.3350mAh
Nominal Voltage		3.6V
Charging Method		Constant Current -Constant Voltage
Charging Voltage		4.2V
Charging Current		Std.1625mA
Charging Time		4.0hrs.
Ambient Temperature	Charge	+10~+45°C
	Discharge	-20~+60°C
	Storage	-20~+50°C
Weight (Max.)		47.5g
Dimensions (Max.) Maximum size without tube	(D)	18.25mm
	(H)	65.10mm
Volumetric Energy Density		676Wh/l
Gravimetric Energy Density		243Wh/kg

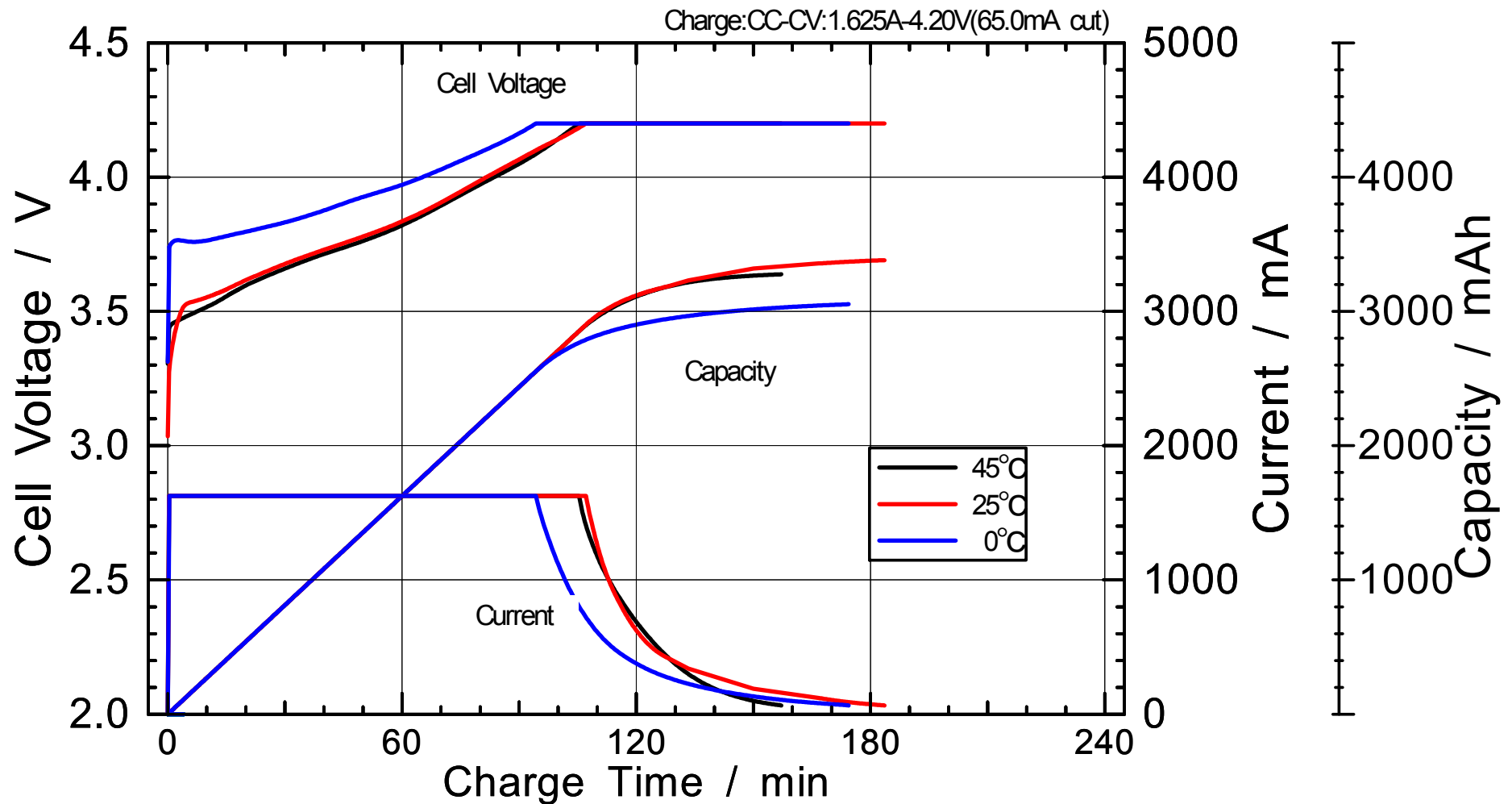
## Discharge Rate Characteristics for NCR18650B



## Discharge Temperature Characteristics for NCR18650B

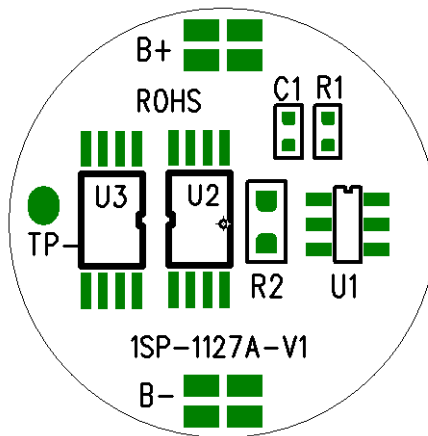


## Charge Characteristics for NCR18650B

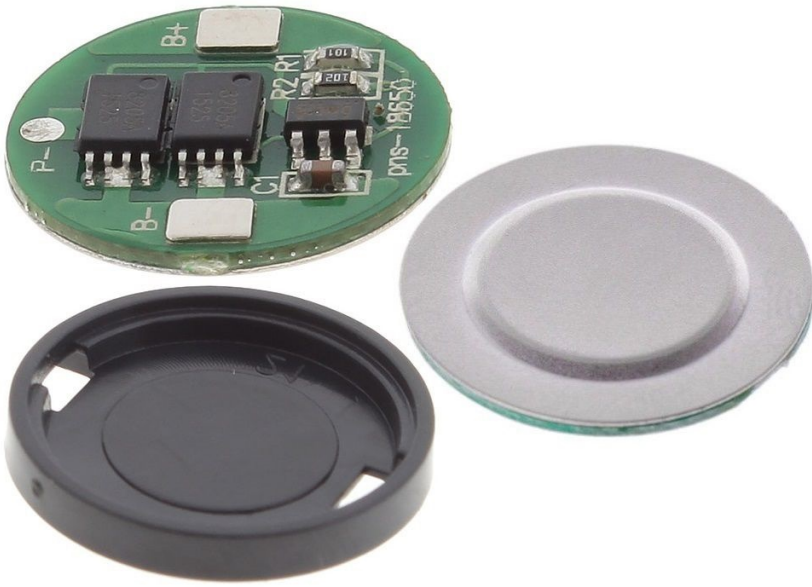


## 2.Part List

/SMT drawing



器件编号 Location	描述 Description	规格/part No. Specification	尺寸/封装 Size	数量 Qty	供应商 Vendor	环境 ROHS	物料编码
U1	Protection IC	S-8261ABRMD-G3RT2U	SOT-23-6	1	SEIKO	ROHS	141C-0161-00310
U2,U3	SMD MOSFET	AO8810,Dual-N,TSSOP-8,AOS	TSSOP-8	2	AOS	ROHS	1438-0161-00170
R1	SMD Resistance	RC0402JR-07470RL,0402,470Ω,±5%,1/16W,HF,YAGEO	0402	1	YAGEO	ROHS	1402-0261-00040
R2	SMD Resistance	RC0603JR-072KL,0603,2KΩ,±5%,1/10W,HF,YAGEO	0603	1	YAGEO	ROHS	1402-0361-00020
C1	SMD Capacitance	0.1uf,-20~+80%,Y5V,16V	0402	1	YAGEO	ROHS	1410-0261-00010
B+,B-		NS300200030TA	3.0*2.0*0.3MM	2	/	ROHS	1601-0161-01310
PCB	PCB	1SP-1127A-V1	16.0*0.8mm Au≥0.04um	1	/	ROHS	1463-0141-54351



### 3. Drawing

# Dual Mos18650 IC

<b>Model</b>	HF-V4.2 PCM
<b>Specification</b>	φ 16.0 x T 2.40 mm MAX
<b>Main configuration</b>	IC: SEIKO/S8261-G3R MOS: /SIS8205A*2
<b>PCB /PCB</b>	(Au≥0.04um)

#### 3.1 Circuit Drawing

